

P-Jet



High precision micro dispensing –
Stable, accurate, fast and flexible

High accuracy Jet-valve: for contactless dispensing of low to medium viscosity fluids. Dispensing frequencies of up to 150 Hz allow to reduce cycle times and increase output and productivity. Robust construction for safe and stable production processes.

Dispensing advantages

- High repeatability
- High accuracy
- Bead/line dispensing
- Smallest volumes accessible
- High speed
- Easy to use and maintain
- Low voltage
- Normally closed (NC)
- Optimized dead volume
- Resistant to chemicals (acids, alkalis, etc.)

Typical dispensed products

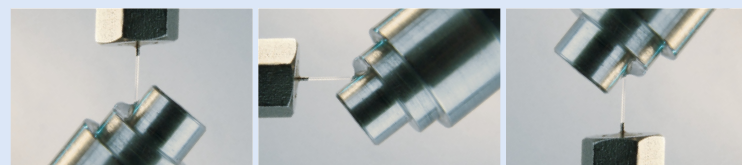
Oil, grease, glue, silicon, paint, flux, medical products, and many other chemicals. (Filled products included)

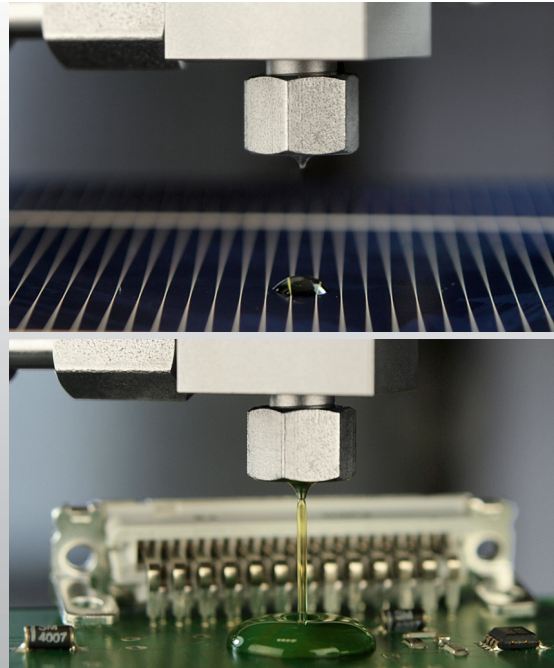
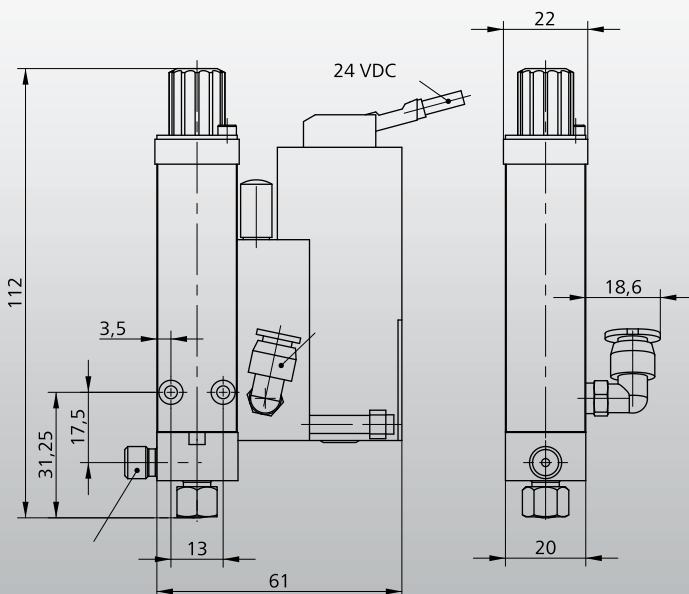
Main industries

Electronic, solar, automobile, packaging, furniture, medical, cosmetic, food, special machines

Highlight

3D contactless dispensing





P-Jet



Contactless dispensing – New, safe and easy

The P-Jet valve can dispense dots, beads and lines of fluid chemicals, with viscosities going from water to honey like. The dispensable volume is between 10 nl and infinite, with dispensing patterns such as dynamically ejected droplets up to continuous jetted bead. The dispensing distance (distance of the tip of the valve to the part) is also adjustable from 2 to 10 mm.

This high precision jet-valve is particularly adapted for filling, socketing, sealing and coating applications. Even process issues – due to parts and/or fixture tolerances – can be solved by using the contactless dispensing technology.

Function: the P-Jet is triggered through an adjustable rectangular input signal from 2 ms to a continuous signal and the dispensing tappet will accurately close the valve at the end of the dispensing signal. The valve is closed when idle (NC).

Technical Specifications

Initial position: NC (normally closed)

Shot size: From 10 nl

Viscosity range: 0,5 – 10.000 mPas (thixotrop)

Accuracy: > 97% (dispensing tolerance < 3%)

Frequency: Up to 150 shot/sec (Hz)

Fluid pressure: 0,2 to 6 bar (up to 50 bar)

Operating medium: Cleaned compressed air, oil-free, filtered (filter unit 40 µm)

Operating pressure: 5 to 8 bar

Switching time: ≥ 2ms to ∞

Electrical input: 24 V, PLC compatible

Service life: > 100 000 000 cycles

Weight: 270 g

Ambient temperature: -5 to +40 °C

Actuator: Electropneumatic

Construction: Robust industrial design, class II equipment, splash water protected after IP 65