

P-Dot An

High precision micro dispensing –
Stable, accurate, fast and easy

High accuracy Jet-valve: for contactless dispensing of anaerobic glues and very corrosive products. High dispensing frequencies allow to reduce cycle times and increase output and productivity. Robust construction for safe and stable production processes.

Dispensing advantages

- High repeatability
- High accuracy
- Volumetrically controlled
- Smallest volumes accessible
- Easy to use and maintain
- Low voltage
- Normally closed (NC)
- Optimized dead volume
- Resistant to chemicals (acids, alkalis, etc.)

Typical dispensed products

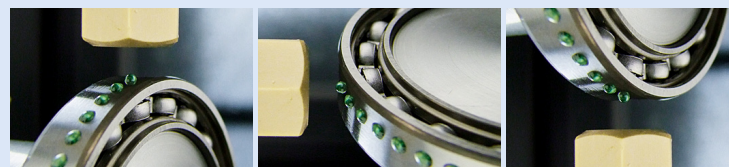
Anaerobic adhesives, acids, corrosive chemicals

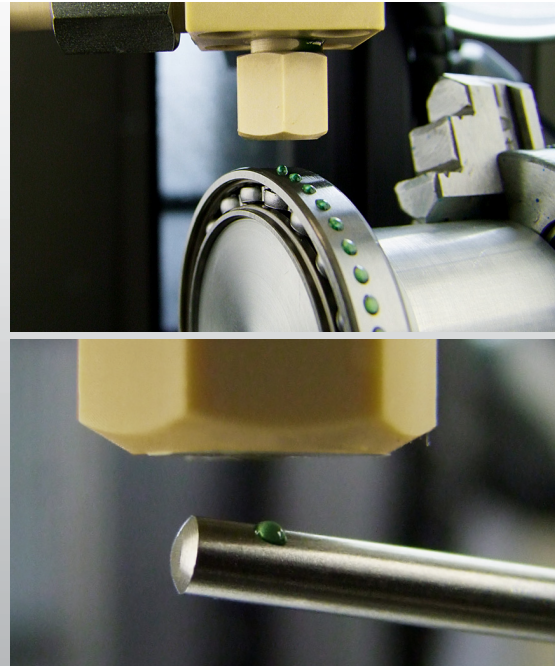
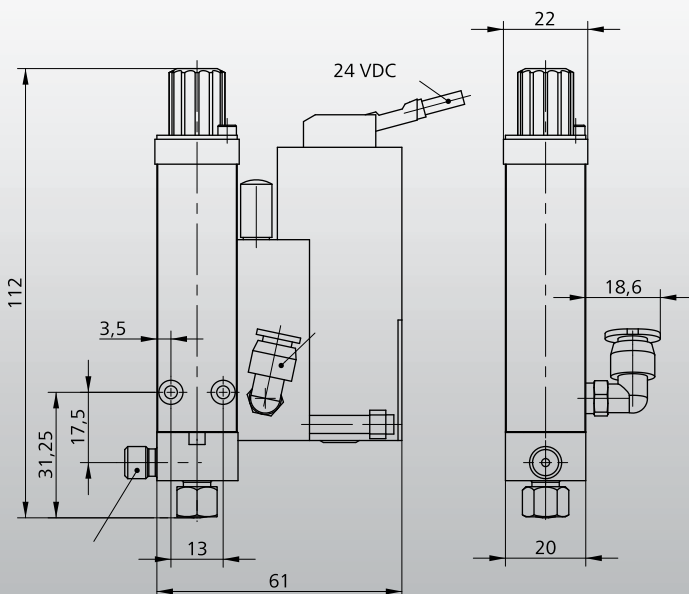
Main industries

Electronic, solar, automobile, packaging, furniture, medical, cosmetic, food, special machines

Highlight

3D contactless dispensing





P-Dot An

Contactless dispensing –
New, safe and easy

The P-Dot An valve can dispense adhesives with anaerobic curing reactions. Made of highly resistant materials to chemicals, the P-Dot An allows the dispensing of highly corrosive chemicals as well as highly reactive products. The dispensing viscosities range from water to honey like fluids.

Even process issues – due to parts and/or fixture tolerances – can be solved by using the contactless dispensing technology.

Function: the electro pneumatic amplifier triggers the valve within 1 ms and automatically closes the valve after each dispensing cycle. The valve is closed when idle (NC).

Technical specifications

Initial position: NC (normally closed)

Shot size: 30 – 200 nl

Viscosity range: 50 – 3.000 mPas (thixotrop)

Accuracy: > 98 % (dispensing tolerance < 2 %)

Frequency: Up to 50 shot/sec (Hz)

Fluid pressure: Up to 10 bar

Operating medium: Cleaned compressed air, oil-free, filtered (filter unit 40 µm)

Operating pressure: 2 to 8 bar

Switching time: < 1 ms

Electrical input: 24 V, PLC compatible

Service life: > 100 000 000 cycles

Weight: 240 g

Ambient temperature: -5 to +40 °C

Actuator: Electropneumatic

Construction: Robust industrial design, class II equipment, splash water protected after IP 65