

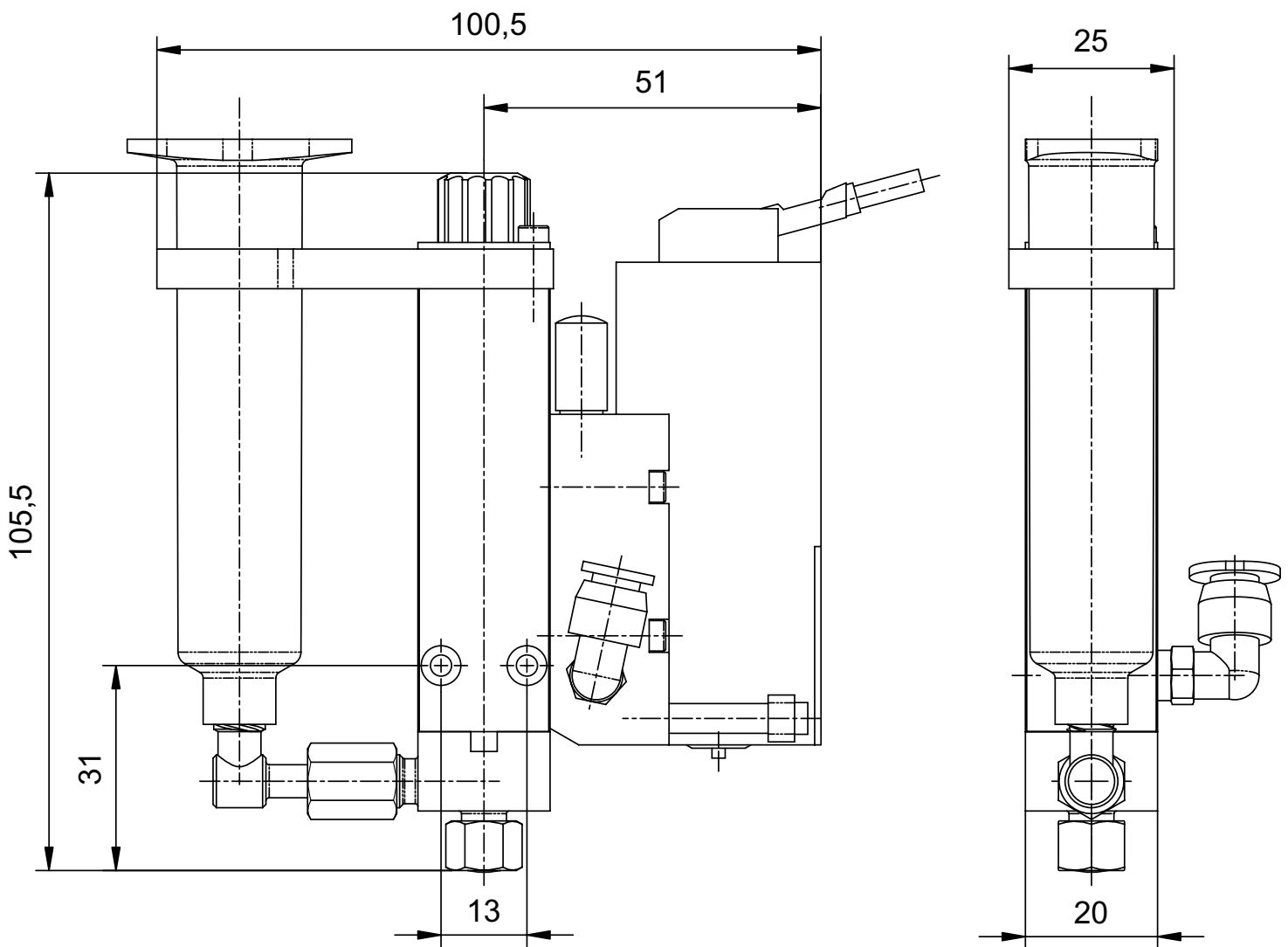
Micro-dispensing Valve P-Dot AN

Pneumatic high-speed
jet valve for dispensing
anaerobic fluids



Features

- Switching time ≤ 1 ms
- Driven by 24 V DC input signal
- Normally closed
- Small shot volumes (30 – 200 nl)
- High accuracy $< 2\%$
- Robust and suitable for industrial applications
- Easy to use and maintain



Specifications

Liquidyn GmbH
Daimlerstraße 5
82054 Sauerlach
Germany

Phone +49 8104 8889-635
Fax +49 8104 8889-631

info@liquidyn.com
www.liquidyn.com

Initial position	NC (normally closed)
Shot size	30 – 200 nl
Viscosity range	50 – 3.000 mPas (thixotrop)
Accuracy	< 2%
Frequency	Up to 150 Hz
Fluid pressure	Up to 10 bar
Operating medium	Cleaned compressed air, oil-free, filter unit (40 µm)
Operating pressure	2 to 8 bar
Switching time	< 1 ms
Electrical input	24 V, SPS compatible
Service life	> 10 ⁸ shots
Weight	240 g
Ambient temperature	-5 to +40° C
Construction	Robust industrial design