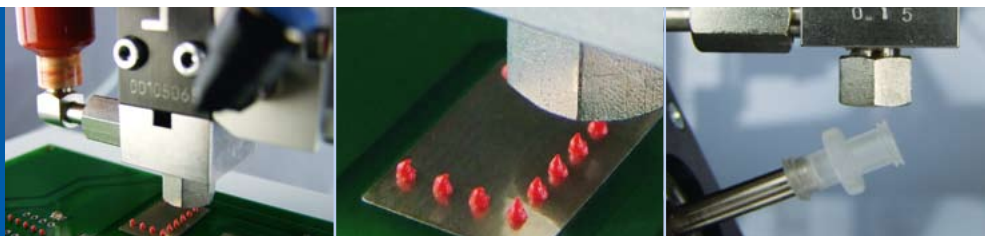




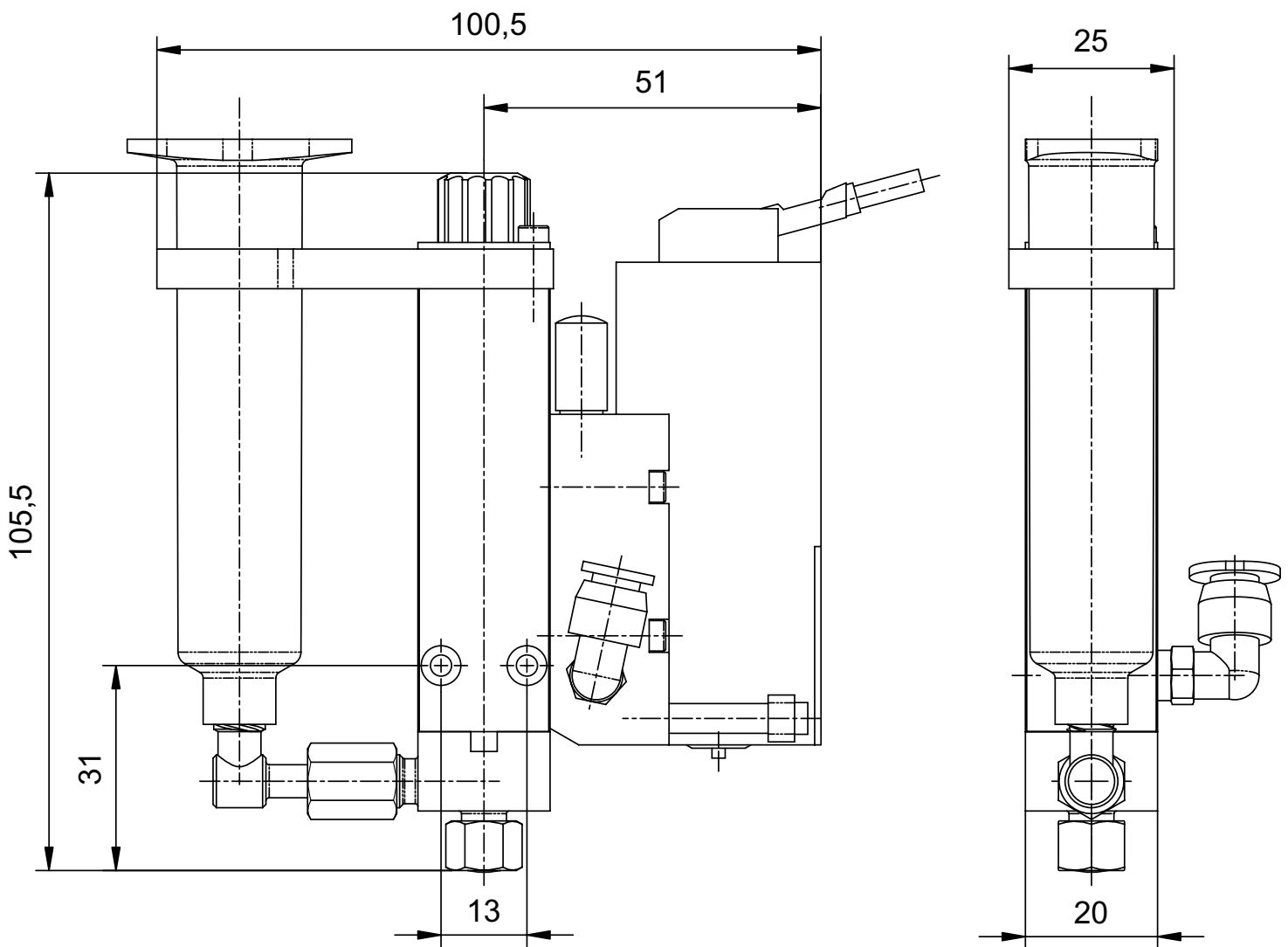
Micro-dispensing Valve P-Dot

Pneumatic high-speed
jet valve for dispensing glue
and lubricants



Features

- Switching time ≤ 1 ms
- Driven by 24 V DC input signal
- Normally closed
- Small shot volumes (10 – 200 nl)
- High accuracy $< 1\%$
- Robust and suitable for industrial applications
- Easy to use and maintain



Specifications

Liquidyn GmbH
Daimlerstraße 5
82054 Sauerlach
Germany

Phone +49 8104 888 96 35
Fax +49 8104 888 96 31

info@liquidyn.com
www.liquidyn.com

Initial position	NC (normally closed)
Shot size	10 – 200 nl
Viscosity range	50 – 200.000 mPas (thixotrop)
Accuracy	< 1%
Frequency	Up to 150 Hz
Fluid pressure	Up to 100 bar
Chemical resistance	Acids, alkali, solvents
Operating medium	Cleaned compressed air, oil-free, filter unit (40 µm)
Operating pressure	2 to 8 bar
Switching time	< 1 ms
Electrical input	24 V, SPS compatible
Service life	> 10 ⁸ shots
Weight	270 g
Ambient temperature	-5 to +40° C
Construction	Robust industrial design